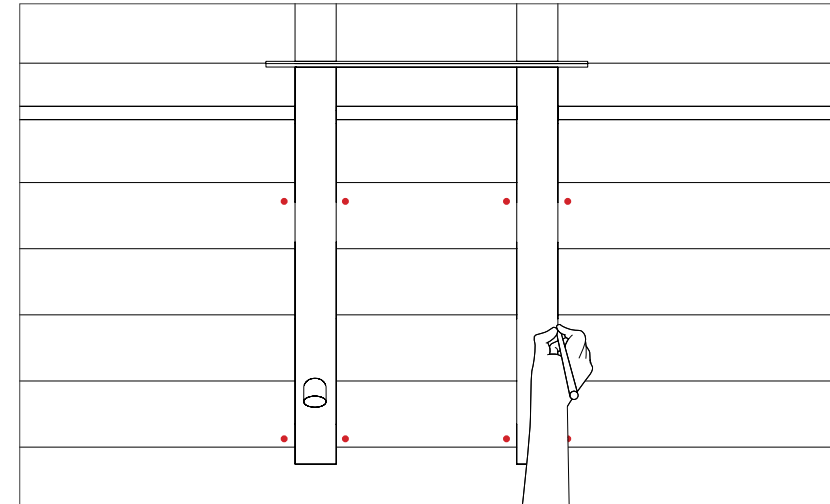


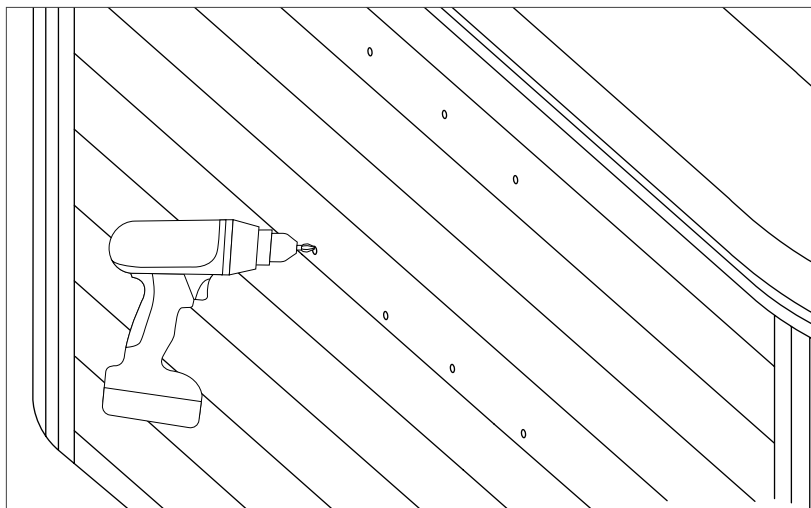
1 Check Items

Upon receiving your order, open the crate and inspect the content. **Damages must be reported within 24 hours.**



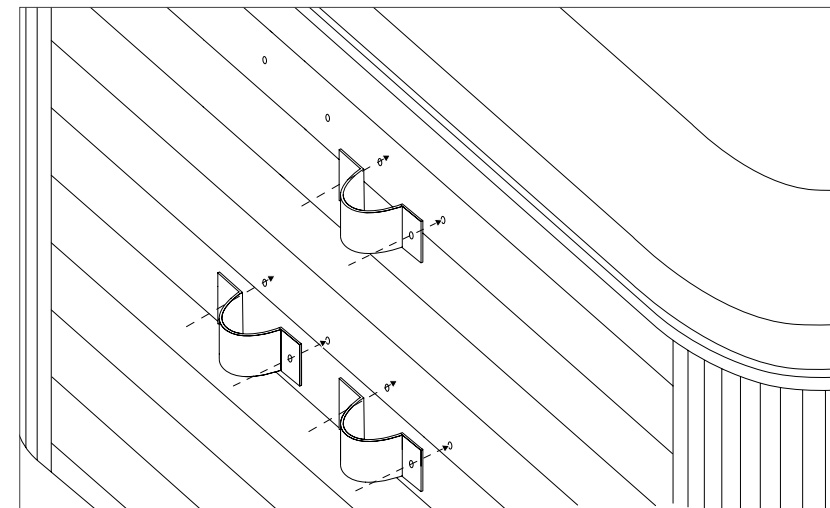
2 Mark your holes

Mark the place where the mounting clips will be drilled into. See the drawing above for suggested locations.



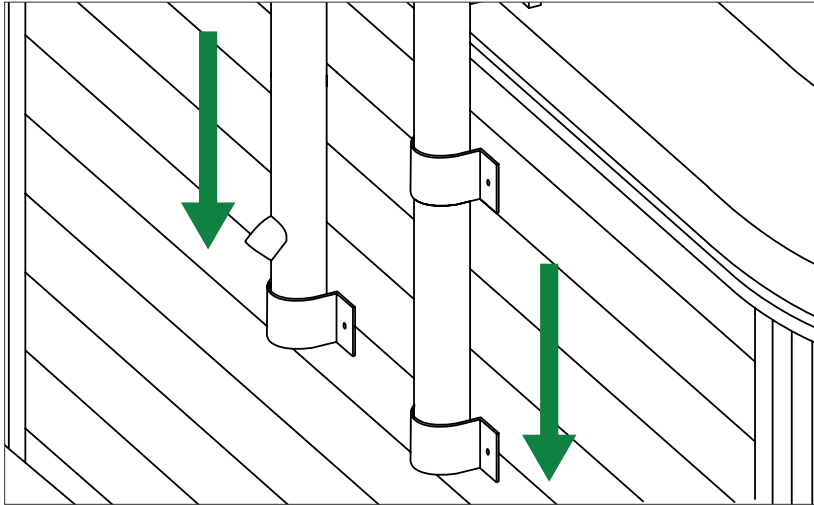
3 Drill the holes

Drill the holes for the screws of the mounting clips.



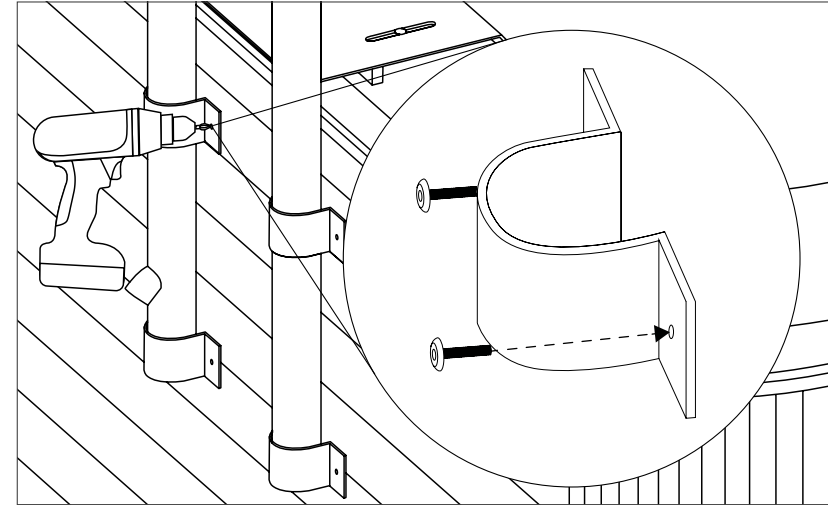
4 Attach the mounting clips

Screw three of the mounting clips in place. Don't attach the upper left clip yet. Make sure not to screw the clips really tight because you may need to make adjustments later.



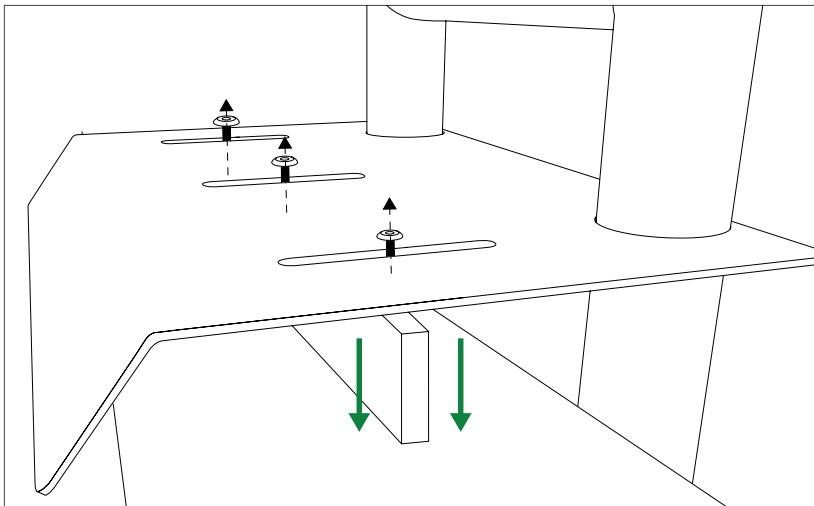
5 Insert the pole through the mounting clips

Insert the pole into the three mounting clips.



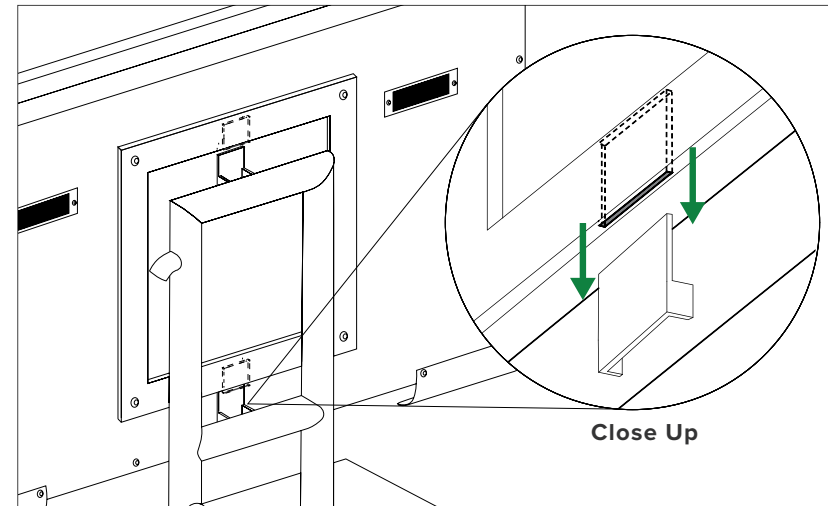
6 Screw the fourth clip

Screw the fourth mounting clip in place. Tighten the other screws to make sure the mount is secure.



7 Adjust the metal plate

Adjust the metal plate and place it at the edge of your tub. Then tighten the screws on top of the plate to secure it in place.



8 Attach the TV to the mount

Lift the TV and attach the VESA bracket on the mount by lowering the two square holes on both the top and the bottom portion of the VESA to the hooks on the mount pole.